

Project:

Date:

## PRODUCT DATASHEET

Last information update: January 2021

series:

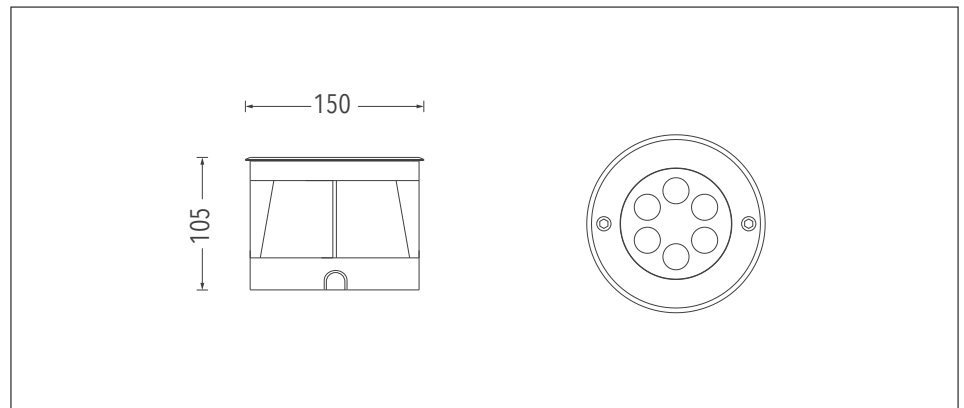
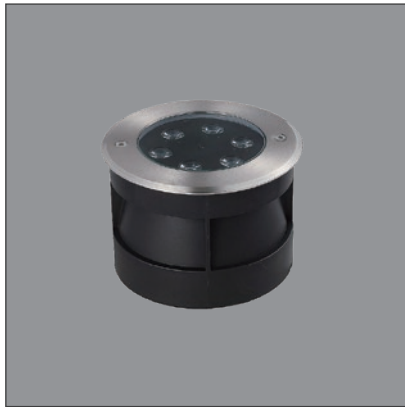
### WATER UP

UNDERWATER LUMINAIRE  
6W 480LM ON/OFF

1103W6. [ ] . [ ] . [ ] + [ ]  
accessories  
finish color  
color temperature  
optics



Example of complete order code: 1103W6.0015.2780.01



#### Description

LED upright luminaire for underwater recessed installation. The body is made of stainless steel, lens is made of polycarbonate, safety cover is made of tempered glass, and all external screws used are made of stainless steel. The luminaire with a high level of weather and UV ray resistance. Symmetrical light distribution, narrow, medium, wide flood optics. Light color white. Control On/off. The power supply is not provided and is to be ordered separately. Supplied with recessed box. Safety class III.

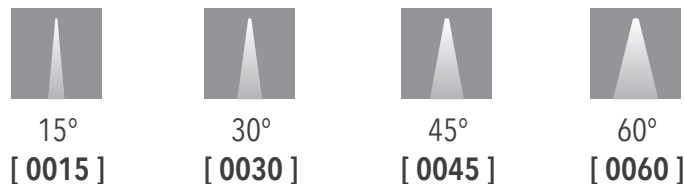
#### Installation

Recessed mounting with recessed box.

#### Luminaire weight

0.9 Kg

#### Optics



#### Color temperature

2700K [ 2780 ]      3000K [ 3080 ]      4000K [ 4080 ]

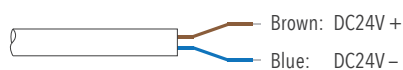
#### Finish color

Silver  
[ 01 ]

**TECHNICAL DATA**

<b>Power</b>	6W
<b>Input voltage</b>	24V DC
<b>Safety class</b>	III
<b>Luminous flux</b>	480 lm ±5%
<b>CCT</b>	2700K, 3000K, 4000K
<b>CRI</b>	80 Ra
<b>Light distribution type</b>	Symmetrical
<b>Optics</b>	15°, 30°, 45°, 60°
<b>Light source</b>	Cree
<b>MacAdam Step</b>	5
<b>Number of LEDs</b>	6
<b>Power supply</b>	Not included ( constant voltage power supply ordered separately )
<b>Controllable</b>	ON/OFF
<b>IP rating</b>	IP68
<b>Impact resistance</b>	IK10
<b>Ambient temperature</b>	-20°C ~ +50°C
<b>Storage temperature</b>	-40°C ~ +70°C
<b>Material</b>	Body in stainless steel, optical lens in polycarbonate, tempered glass cover
<b>Finish</b>	Silver as standard color
<b>Lifetime</b>	30,000 hours Ta=40°C

**WIRING**



1x Power input cable, 2-core, open end, L=300mm

**ACCESSORIES**

---