

Project:

Date:

PRODUCT DATASHEET

Last information update: February 2021

series:

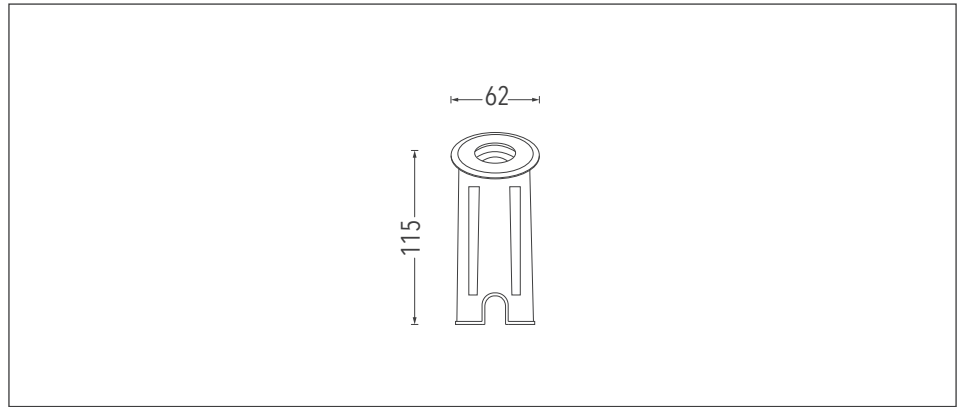
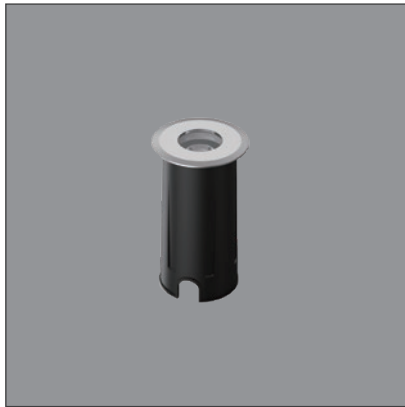
SONAX BASIC

IN-GROUND LIGHT Ø62MM RGB
3W 150LM DMX512

1909W3. [] . [] . [] + []
accessories
finish color
color temperature
optics



Example of complete order code: 1909W3.0007.RGB.01



Description

In-ground LED luminaire for outdoor installation, supplied with recessed box, walked over, IP67, IK10. Body is made of aluminum, safety cover is made of tempered glass, lens is made of PMMA, combined with stainless steel frame, and all external screws used are made of stainless steel, the luminaire with a high level of weather and UV ray resistance. Symmetrical light distribution, spot / narrow / medium / wide flood optics. Light color RGM, control DMX512. Power supply is not included. Safety class III. Built-in honeycomb louvre for visual comfort.

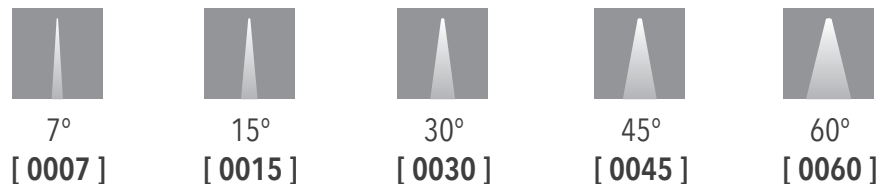
Installation

Ground recessed installation by recessed box.

Luminaire weight

0.5 Kg

Optics



Color temperature

RGB
[RGB]

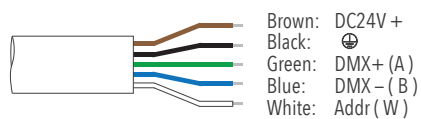
Finish color

Silver
[01] Customized
[RAL]

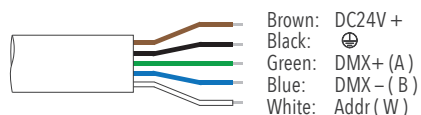
TECHNICAL DATA

Power	Max. 3W
Input voltage	24V DC
Safety class	III
Luminous flux	150 lm \pm 5%
CCT	RGB
CRI	---
Light distribution type	Symmetrical
Optics	7°, 15°, 30°, 45°, 60°
Light source	Osram
MacAdam Step	5
Number of LEDs	1
Power supply	Not included (constant voltage power supply ordered separately)
Control	DMX512
IP rating	IP67
Impact resistance	IK10
Ambient temperature	-20°C ~ +50°C
Storage temperature	-40°C ~ +70°C
Material	Body in aluminum, cover in tempered glass, optical lens in PMMA
Finish	Aluminum silver as standard color
Lifetime	50,000 hours Ta=40°C

WIRING



1x Power / DMX Data input cable, 5-core, male connector IP67, L=300mm



1x Power / DMX Data output cable, 5-core, female connector IP67, L=300mm

ACCESSORIES
