

Project:

Date:

PRODUCT DATASHEET

Last information update: February 2021

series:

SONAX BASIC

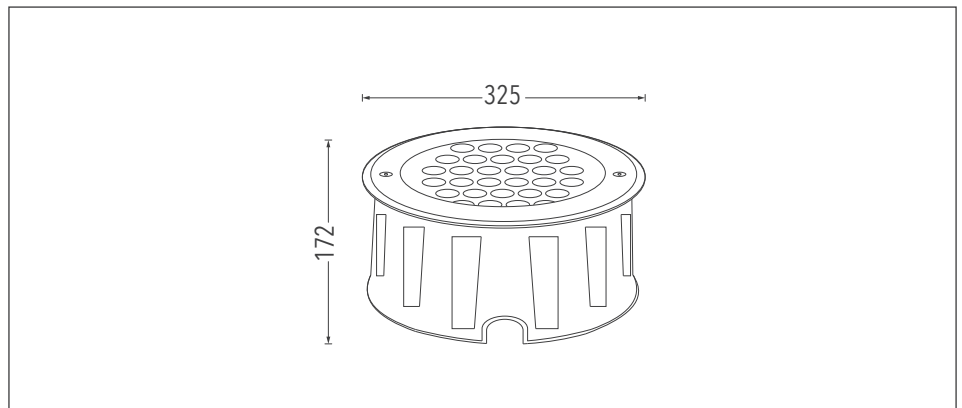
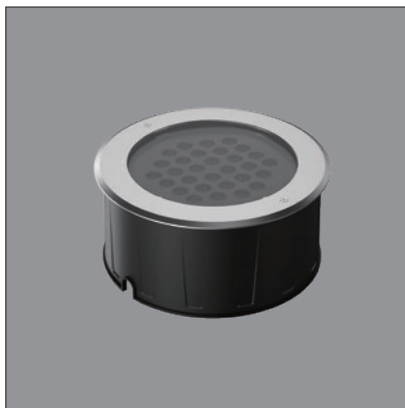
IN-GROUND LUMINAIRE Ø325MM
48W 3900LM ON/OFF

1909W48. [] . [] . [] + []

accessories
finish color
color temperature
optics



Example of complete order code: 1909W48.0007.2780.01



Description

In-ground LED luminaire for outdoor installation, supplied with recessed box, walked over, IP67, IK10. Body is made of aluminum, safety cover is made of tempered glass, lens is made of PMMA, combined with stainless steel frame, and all external screws used are made of stainless steel, the luminaire with a high level of weather and UV ray resistance. Symmetrical light distribution, spot / narrow / medium / wide flood optics. Light color white, On/off control. Power supply is not included. Safety class III. Built-in honeycomb louvre for visual comfort.

Installation

Ground recessed installation by recessed box.

Luminaire weight

4.9 Kg

Optics

7°	15°	30°	45°	60°
[0007]	[0015]	[0030]	[0045]	[0060]

Color temperature

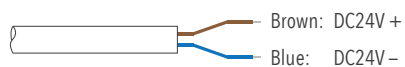
2700K	3000K	4000K
[2780]	[3080]	[4080]

Finish color

Silver	Customized
[01]	[RAL]

TECHNICAL DATA

Power	48W
Input voltage	24V DC
Safety class	III
Luminous flux	3900 lm \pm 5%
CCT	2700K, 3000K, 4000K
CRI	80 Ra
Light distribution type	Symmetrical
Optics	7°, 15°, 30°, 45°, 60°
Light source	Osram
MacAdam Step	5
Number of LEDs	30
Power supply	Not included (constant voltage power supply ordered separately)
Control	ON/OFF
IP rating	IP67
Impact resistance	IK10
Ambient temperature	-20°C ~ +50°C
Storage temperature	-40°C ~ +70°C
Material	Body in aluminum, cover in tempered glass, optical lens in PMMA
Finish	Aluminum silver as standard color
Lifetime	50,000 hours Ta=40°C

WIRING

1x Power input cable, 2-core, open end, L=300mm

ACCESSORIES
