

Project:

Date:

PRODUCT DATASHEET

Last information update: February 2021

series:

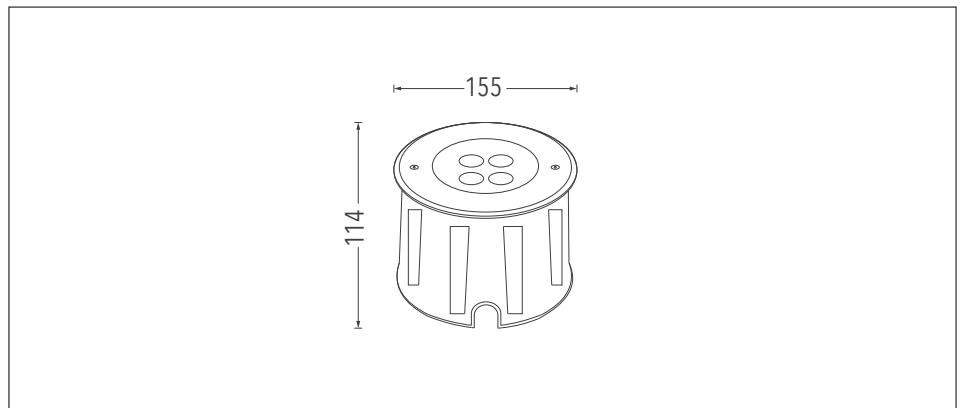
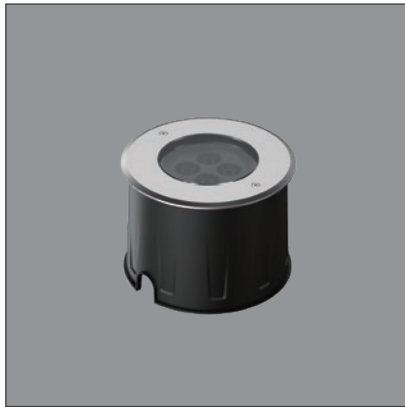
SONAX BASIC

IN-GROUND LUMINAIRE Ø155MM
9W 720LM ON/OFF

1909W9. [] . [] . [] + []
accessories
finish color
color temperature
optics



Example of complete order code: 1909W9.0007.2780.01



Description

In-ground LED luminaire for outdoor installation, supplied with recessed box, walked over, IP67, IK10. Body is made of aluminum, safety cover is made of tempered glass, lens is made of PMMA, combined with stainless steel frame, and all external screws used are made of stainless steel, the luminaire with a high level of weather and UV ray resistance. Symmetrical light distribution, spot / narrow / medium / wide flood optics. Light color white, On/off control. Power supply is not included. Safety class III. Built-in honeycomb louvre for visual comfort.

Installation

Ground recessed installation by recessed box.

Luminaire weight

1.35 Kg

Optics



7°
[0007]



15°
[0015]



30°
[0030]



45°
[0045]



60°
[0060]

Color temperature

2700K
[2780]

3000K
[3080]

4000K
[4080]

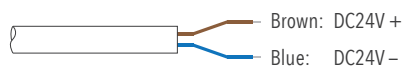
Finish color

Silver
[01]

Customized
[RAL]

TECHNICAL DATA

| | |
|-------------------------|---|
| Power | 9W |
| Input voltage | 24V DC |
| Safety class | III |
| Luminous flux | 720 lm \pm 5% |
| CCT | 2700K, 3000K, 4000K |
| CRI | 80 Ra |
| Light distribution type | Symmetrical |
| Optics | 7°, 15°, 30°, 45°, 60° |
| Light source | Osram |
| MacAdam Step | 5 |
| Number of LEDs | 4 |
| Power supply | Not included (constant voltage power supply ordered separately) |
| Control | ON/OFF |
| IP rating | IP67 |
| Impact resistance | IK10 |
| Ambient temperature | -20°C ~ +50°C |
| Storage temperature | -40°C ~ +70°C |
| Material | Body in aluminum, cover in tempered glass, optical lens in PMMA |
| Finish | Aluminum silver as standard color |
| Lifetime | 50,000 hours Ta=40°C |

WIRING

1x Power input cable, 2-core, open end, L=300mm

ACCESSORIES
