

Project:

Date:

# PRODUCT DATASHEET

Last information update: January 2021

series:

## YORK M

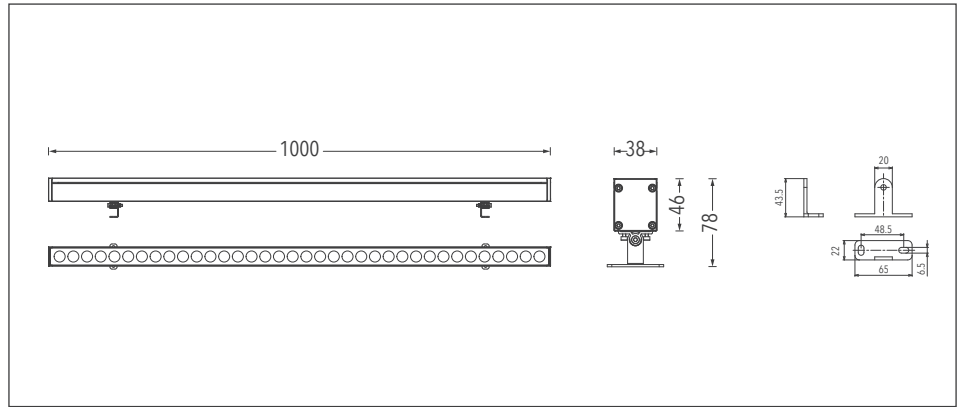
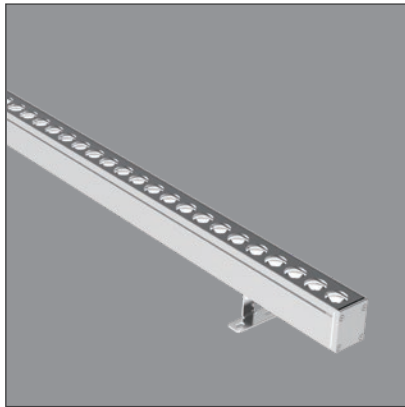
WALL WASHER 1000MM  
48W 4100LM ON/OFF

2502W48. [ ] . [ ] . [ ] + [ ]

accessories  
finish color  
color temperature  
optics



Example of complete order code: 2502W48.0007.2780.01+A1



### Description

LED wall washing luminaire for outdoor installation, with a bracket that available in adjustability 180°. Body is made of extruded aluminum, safety cover is made of tempered glass, lens is made of PMMA, and all external screws used are made of stainless steel, the luminaire with a high level of weather and UV ray resistance. Symmetrical light distribution, spot / narrow / medium / flood / wide flood / oval optics. Light color white, On/off control. The power supply is not provided and is to be ordered separately. Safety class III. Anti-glare accessories for improving visual comfort.

### Installation

Wall surface mounted by adjustable bracket.

### Luminaire weight

2.0 Kg

### Optics

7°	15°	30°	40°	60°	20°x40°
[ 0007 ]	[ 0015 ]	[ 0030 ]	[ 0040 ]	[ 0060 ]	[ 2040 ]

### Color temperature

2700K	3000K	4000K
[ 2780 ]	[ 3080 ]	[ 4080 ]

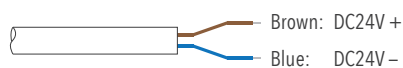
### Finish color

Silver	Black	Customized
[ 01 ]	[ 03 ]	[ RAL ]

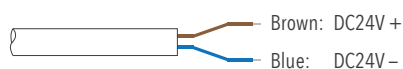
## TECHNICAL DATA

Power	48W
Input voltage	24V DC
Safety class	III
Luminous flux	4100 lm $\pm$ 5%
CCT	2700K, 3000K, 4000K
CRI	80 Ra
Light distribution type	Symmetrical
Optics	7°, 15°, 30°, 40°, 60°, 20°x40°
Light source	Osram
MacAdam Step	5
Number of LEDs	36
Power supply	Not included ( constant voltage power supply ordered separately )
Control	ON/OFF
IP rating	IP66
Impact resistance	IK07
Ambient temperature	-20°C ~ +50°C
Storage temperature	-40°C ~ +70°C
Material	Body in extruded aluminum, cover in tempered glass, optical lens in PMMA
Finish	Powder coated, silver / black as standard colors
Lifetime	50,000 hours Ta=40°C

## WIRING



1x Power input cable, 2-core, male connector IP67, L=300mm



1x Power output cable, 2-core, female connector IP67, L=300mm

**ACCESSORIES**

---



Anti-glare visor

Code  
**2502A1**

---



Anti-glare grille

Code  
**2502A2**

---