

Project:

Date:

PRODUCT DATASHEET

Last information update: January 2021

series:

YORK L

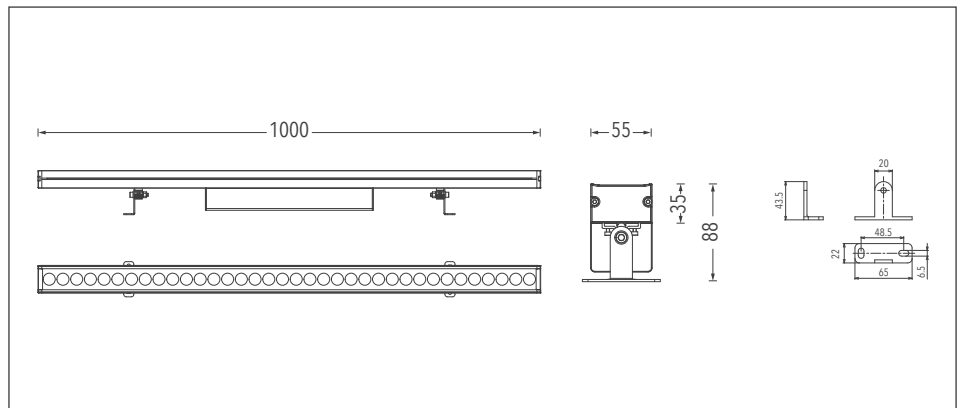
WALL WASHER 1000MM RGB
72W 3200LM DMX512

2504W72. [] . [] . [] + []

accessories
finish color
color temperature
optics



Example of complete order code: 2572W60.0007.RGB.01+A1



Description

LED wall washing luminaire for outdoor installation, with a bracket that available in adjustability 180°. Body is made of extruded aluminum, safety cover is made of tempered glass, lens is made of PMMA, and all external screws used are made of stainless steel, the luminaire with a high level of weather and UV ray resistance. Symmetrical light distribution, spot / narrow / medium / flood / wide flood / oval optics. Light color RGB, DMX512 control. Built-in power supply. Safety class I. Anti-glare accessories for improving visual comfort.

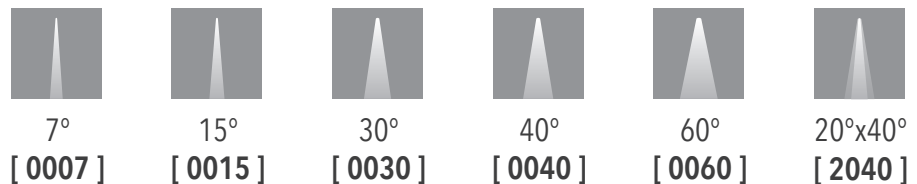
Installation

Wall surface mounted by adjustable bracket.

Luminaire weight

3.5 Kg

Optics



Color temperature

RGB
[RGB]

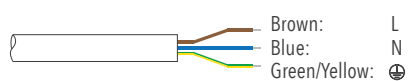
Finish color

Silver [01] Black [03] Customized [RAL]

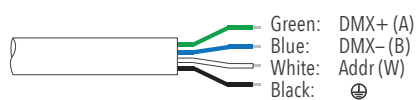
TECHNICAL DATA

Power	Max. 72W
Input voltage	100-240V AC
Safety class	I
Luminous flux	3200 lm ±5%
CCT	RGB
CRI	---
Light distribution type	Symmetrical
Optics	7°, 15°, 30°, 40°, 60°, 20°x40°
Light source	Osram
MacAdam Step	5
Number of LEDs	36
Power supply	External power supply included
Control	DMX512
IP rating	IP66
Impact resistance	IK07
Ambient temperature	-20°C ~ +50°C
Storage temperature	-40°C ~ +70°C
Material	Body in extruded aluminum, cover in tempered glass, optical lens in PMMA
Finish	Powder coated, silver / black as standard colors
Lifetime	50,000 hours Ta=40°C

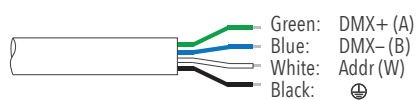
WIRING



1x Power input cable, 3-core, open end, L=300mm



1x DMX Data input cable, 4-core, male connector IP67, L=300mm



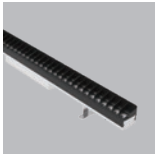
1x DMX Data output cable, 4-core, female connector IP67, L=300mm

ACCESSORIES



Anti-glare visor

Code
2504A1



Anti-glare grille

Code
2504A2
