

Project:

Date:

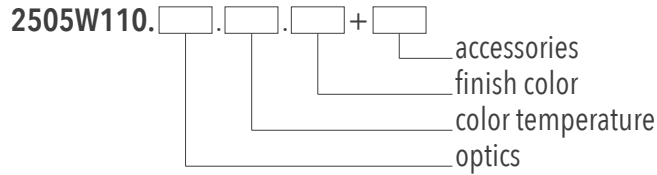
PRODUCT DATASHEET

Last information update: January 2021

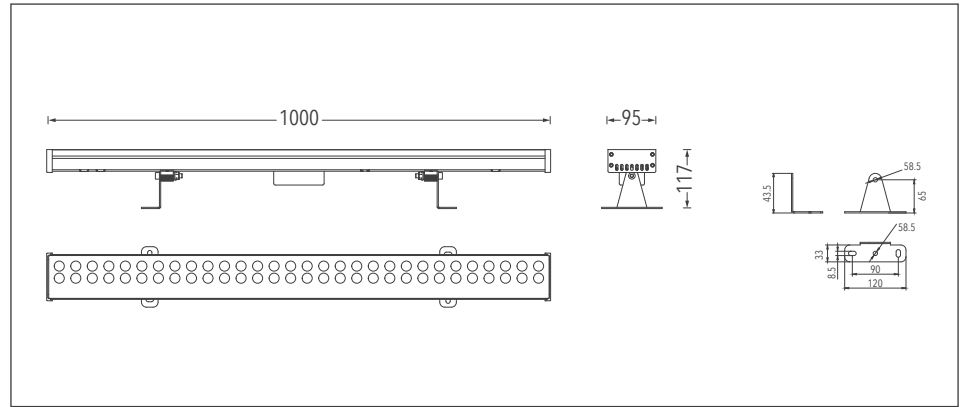
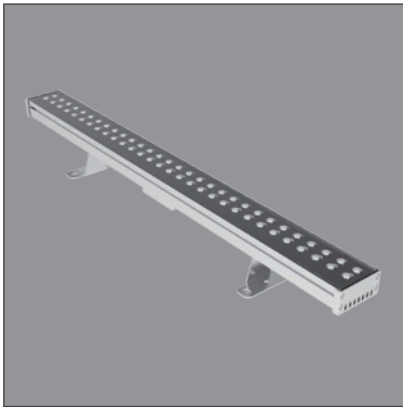
series:

YORK PLUS

WALL WASHER 1000MM
110W 9300LM ON/OFF



Example of complete order code: 2505W110.0007.2780.01+A1



Description

LED wall washing luminaire for outdoor installation, with a bracket that available in adjustability 150°. Body is made of extruded aluminum, safety cover is made of tempered glass, lens is made of PMMA, and all external screws used are made of stainless steel, the luminaire with a high level of weather and UV ray resistance. Symmetrical light distribution, spot / narrow / medium / flood / oval optics. Light color white, On/off control. Built-in power supply. Safety class I. Anti-glare accessories for improving visual comfort. Combined with breather valve technology.

Installation

Wall surface mounted by adjustable bracket.

Luminaire weight

4.9 Kg

Optics

7°	15°	30°	45°	20°x40°
[0007]	[0015]	[0030]	[0045]	[2040]

Color temperature

2700K	3000K	4000K
[2780]	[3080]	[4080]

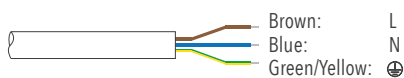
Finish color

Silver	Black	Customized
[01]	[03]	[RAL]

TECHNICAL DATA

Power	110W
Input voltage	100-240V AC
Safety class	I
Luminous flux	9200 lm ±5%
CCT	2700K, 3000K, 4000K
CRI	80 Ra
Light distribution type	Symmetrical
Optics	7°, 15°, 30°, 45°, 20°x40°
Light source	Osram
MacAdam Step	5
Number of LEDs	60
Power supply	External power supply included
Control	ON/OFF
IP rating	IP66
Impact resistance	IK07
Ambient temperature	-20°C ~ +50°C
Storage temperature	-40°C ~ +70°C
Material	Body in extruded aluminum, cover in tempered glass, optical lens in PMMA
Finish	Powder coated, silver / black as standard colors
Lifetime	50,000 hours Ta=40°C

WIRING



1x Power input cable, 3-core, open end, L=300mm

ACCESSORIES



Anti-glare visor

Code
2505A1
