

Project:

Date:

PRODUCT DATASHEET

Last information update: January 2021

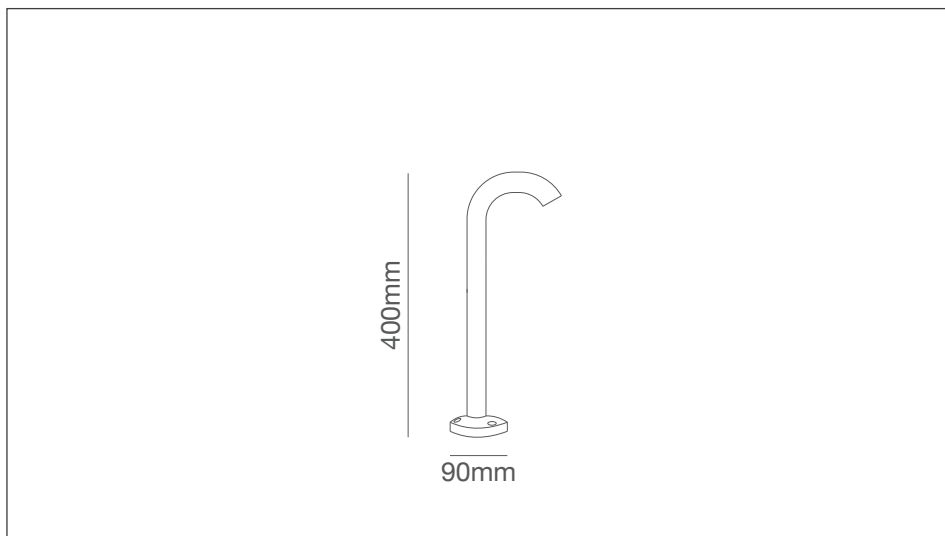
series:

ITEM CODE: 2256-01



PIPE

LED BOLLARD MEDIUM OPTICS 7W 600LM ON/OFF



Description

LED bollard luminaire for outdoor installation, with built-in power supply. Powder coated aluminum body with polycarbonate diffuser, external stainless steel screws. The luminaire with a high level of weather and UV ray resistance. Symmetrical light distribution, medium optics. Light color 3000K. Control On/off. Safety class I, class II available on request.

Installation

Ground / floor surface mounted with base

Luminaire weight

0.8 Kg

Optics



1-way
[Medium]

Color temperature

3000K
[3080]

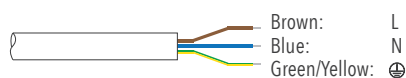
Finish color

Black
[03]

TECHNICAL DATA

Power	7W
Input voltage	100-240V AC
Safety class	I
Luminous flux	600 lm ±5%
CCT	3000K
CRI	80 Ra
Light distribution type	Symmetrical
Optics	Medium
Light source	LED
Type	COB
Number of LEDs	1
Power supply	Built-in power supply
Controllable	ON/OFF
IP rating	IP65
Impact resistance	IK08
Ambient temperature	-20°C ~ +50°C
Storage temperature	-40°C ~ +70°C
Material	Aluminum body with polycarbonate diffuser, stainless steel external screws
Finish	Powder coated, black as standard color
Lifetime	30,000 hours Ta=40°C

WIRING



1x Power input cable, 3-core, open end, L=300mm

Project:

Date:

PRODUCT DATASHEET

Last information update: January 2021

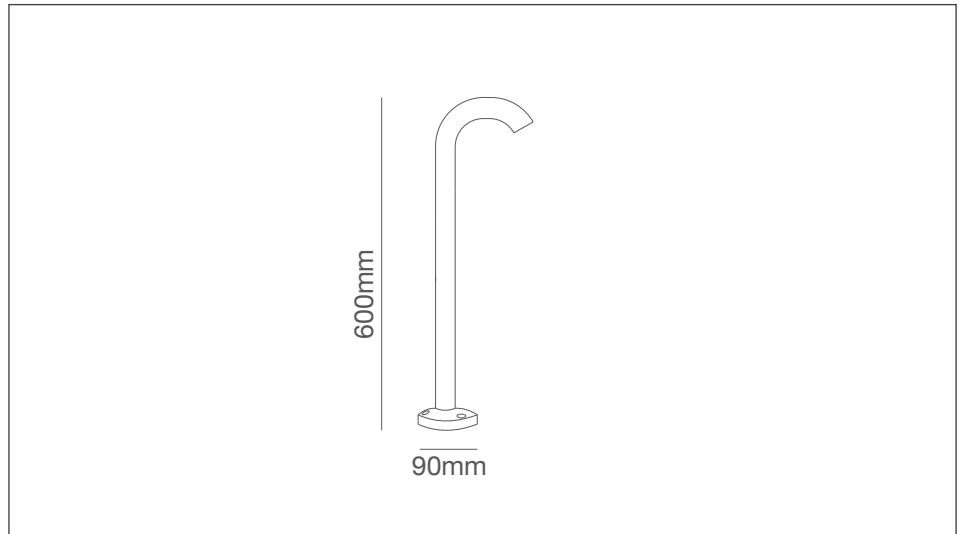
series:

ITEM CODE: 2256-02



PIPE

LED BOLLARD MEDIUM OPTICS 7W 600LM ON/OFF



Description

LED bollard luminaire for outdoor installation, with built-in power supply. Powder coated aluminum body with polycarbonate diffuser, external stainless steel screws. The luminaire with a high level of weather and UV ray resistance. Symmetrical light distribution, medium optics. Light color 3000K. Control On/off. Safety class I, class II available on request.

Installation

Ground / floor surface mounted with base

Luminaire weight

0.9 Kg

Optics



1-way
[Medium]

Color temperature

3000K
[3080]

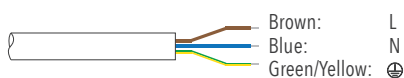
Finish color

Black
[03]

TECHNICAL DATA

Power	7W
Input voltage	100-240V AC
Safety class	I
Luminous flux	600 lm ±5%
CCT	3000K
CRI	80 Ra
Light distribution type	Symmetrical
Optics	Medium
Light source	LED
Type	COB
Number of LEDs	1
Power supply	Built-in power supply
Controllable	ON/OFF
IP rating	IP65
Impact resistance	IK08
Ambient temperature	-20°C ~ +50°C
Storage temperature	-40°C ~ +70°C
Material	Aluminum body with polycarbonate diffuser, stainless steel external screws
Finish	Powder coated, black as standard color
Lifetime	30,000 hours Ta=40°C

WIRING



1x Power input cable, 3-core, open end, L=300mm